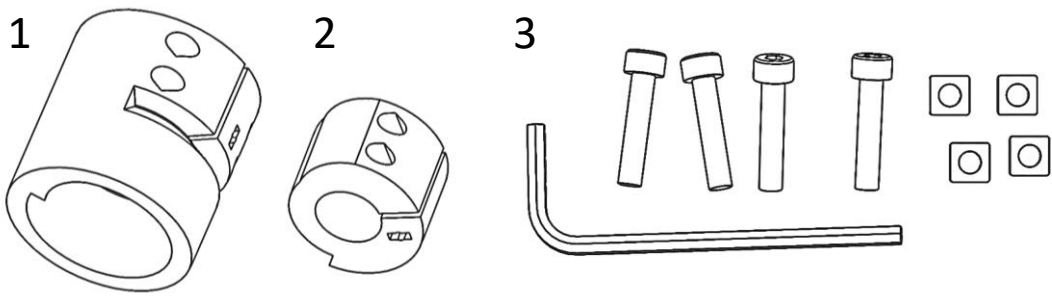


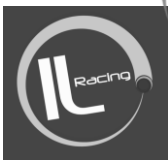
Indigo Lime. WPPR1-PChal-Classic installation guide. Wheel Plate Pivot Reinforcement for Playseat Challenge

Your parts

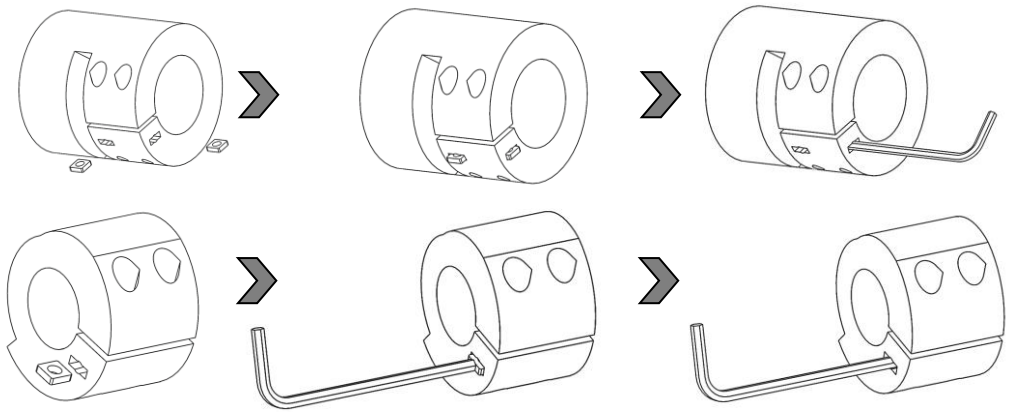
- 1. Outer Ring
- 2. Inner Ring
- 3. Mounting Kit
 - a. Screw: M4x20 x4
 - b. Nut: M4 Square x4
 - c. Hex Key x1



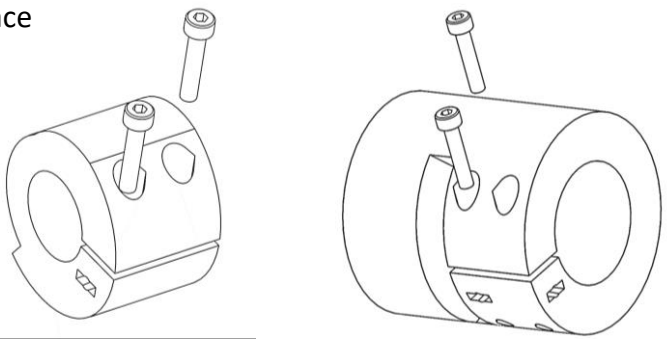
Installation Video (YouTube)



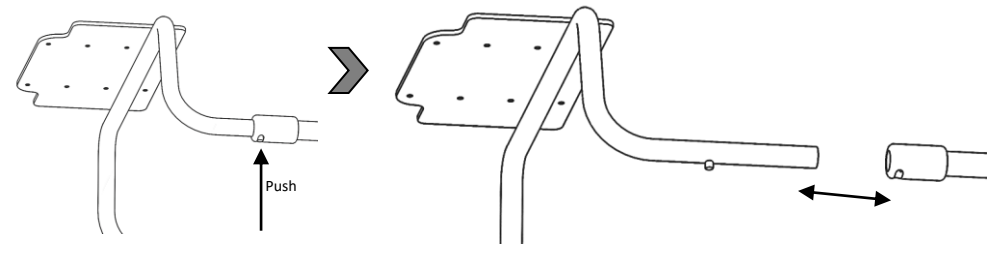
1. Insert Nuts into Inner and Outer Rings. Use Hex Key to push all the way in



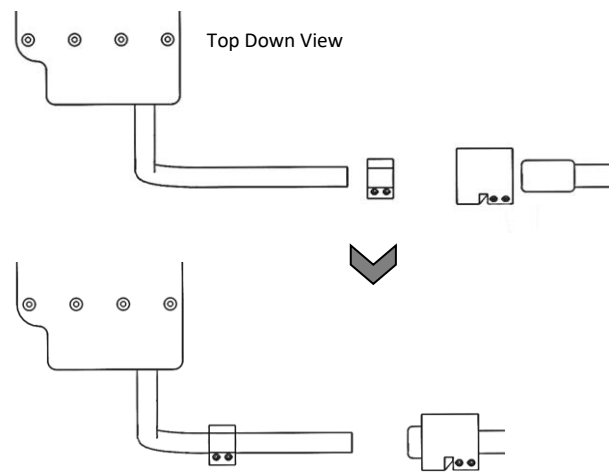
2. Very loosely, screw in all the screws. This is to check alignment and hold Nuts in place



3. Separate Wheel Plate Hinge on Playseat Challenge



4. Slide on the Rings as shown



Note: Having the screw heads up at this point is important for correct installation

Visit indigolime.uk for more great products

Installation guide made of 100% recycled paper

It would be awesome if you could leave feedback. If you are not happy, please contact us *before* leaving negative feedback
 We love to see your installations, send pic(s) to sales@indigolime.uk or Facebook: [@indigolime](https://www.facebook.com/indigolime)

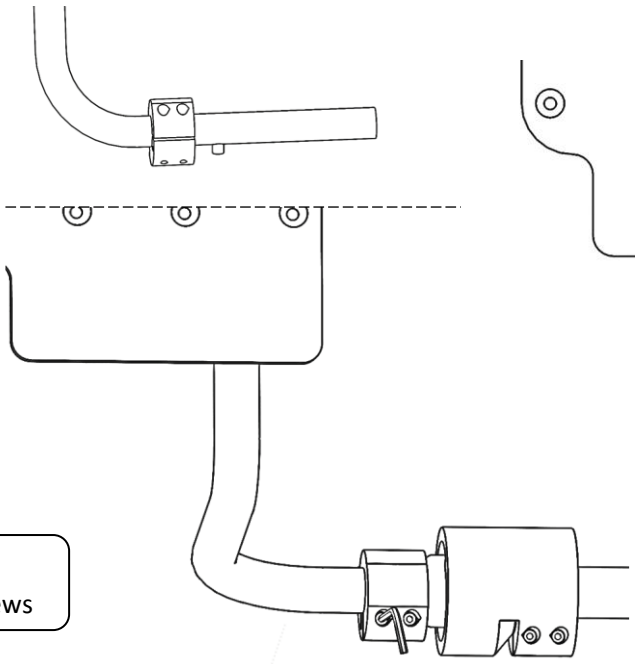
IPO Registered Design

IG 20.10.2021 – WPPR1-PChal-Classic R1

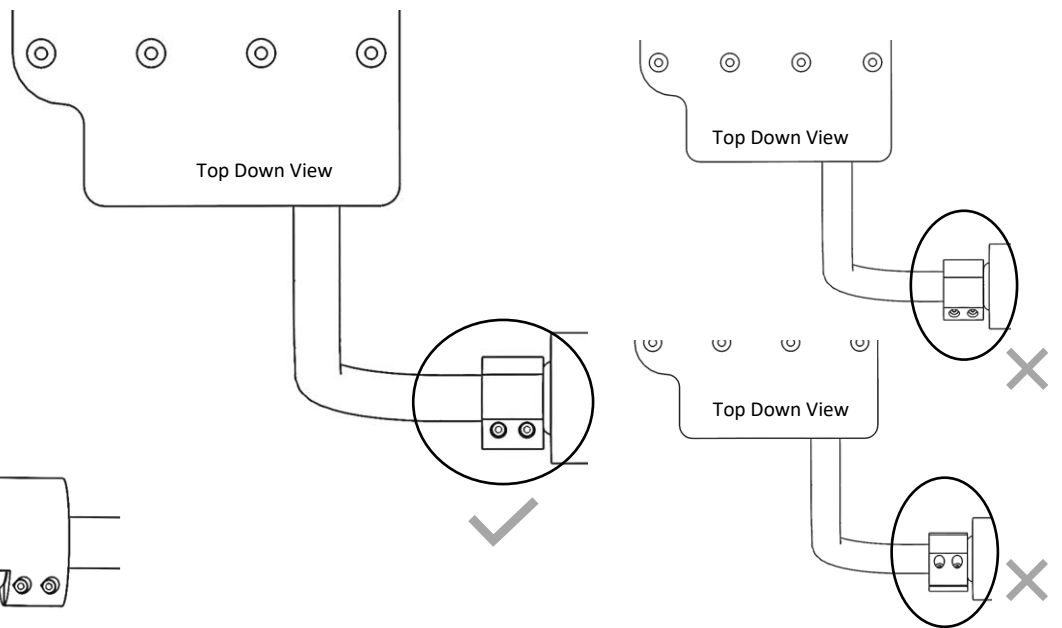
5. Push the Inner Ring past the locking nub on the Challenge and re-attach the tubes.

Make sure to push the tubes together so the locking nub engages properly. Then slide the Inner Ring down against the plastic tube and tighten the Screws on the Inner Ring

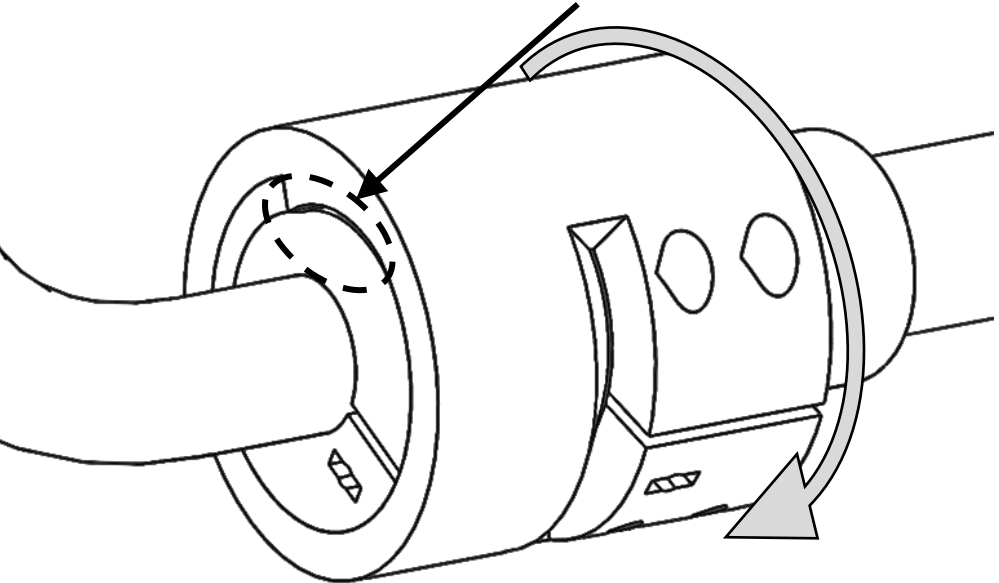
  Do not over tighten screws



IMPORTANT: Note orientation of screw holes on Inner Ring

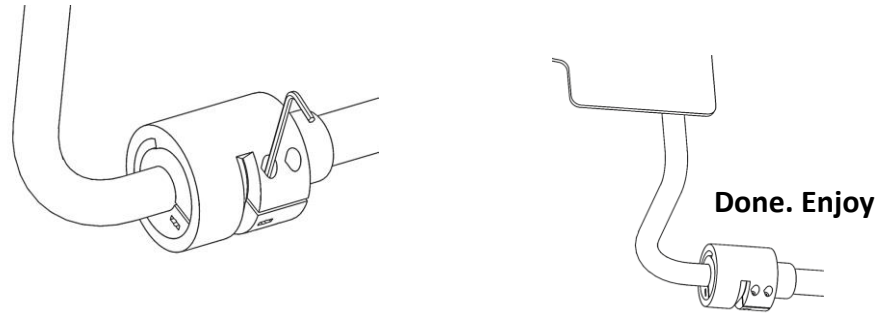


6. Push the Outer Ring up over the Inner Ring. Rotate the Outer Ring so there is no gap between the Inner and Outer Ring (Gap Shown)



7. Tighten the screws on the Outer Ring.

  Do not over tighten screws



If reinforcement becomes loose after use... loosen off the screws in the outer ring and repeat steps 6 and 7.