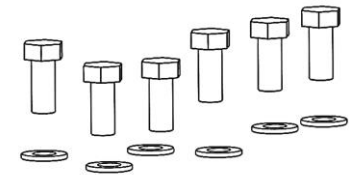
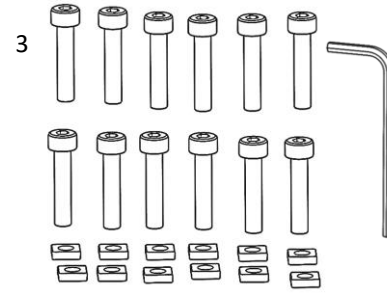
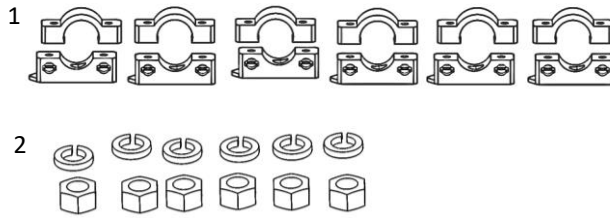


Indigo Lime. HSPAC6-PChal installation guide. Heusinkveld Sprint Pedal to Frame Clamps for Playseat Challenge

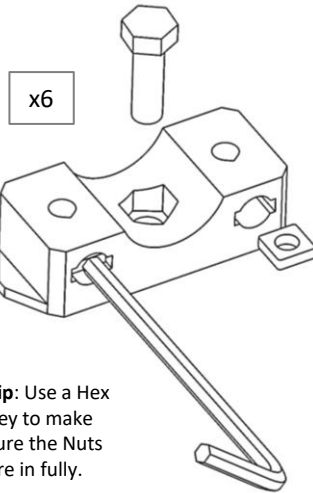
Your parts

1. Pedal to Frame Clamp Sets x6
2. M5 Nuts and Washers;
 - a. 6x M5 Spring Washers
 - b. 6x M5 Nuts
3. M4 Screws & Nuts;
 - a. 12x M4x20 Screws
 - b. 12x M4 Square Nuts
 - c. Hex Key

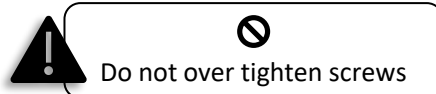
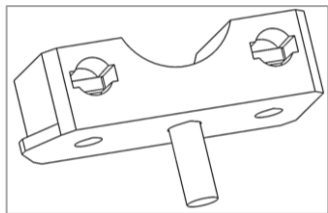


^ these are needed from the Heusinkveld Sim Pedals Sprint Baseplate "Rig Mounting" parts.
6x M5x12 or M5x16 bolts, 6x M5 washers

Insert the square Nuts into the slots, and fit the bolts from the Heusinkveld Baseplate Rig Mounting kit

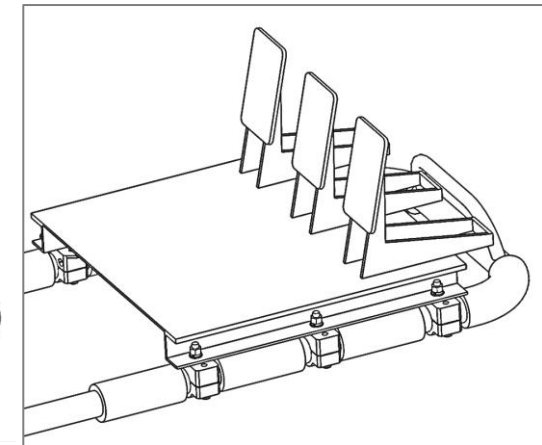
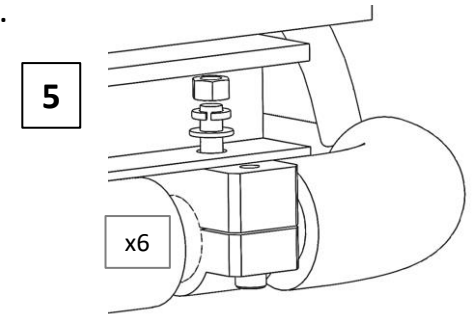
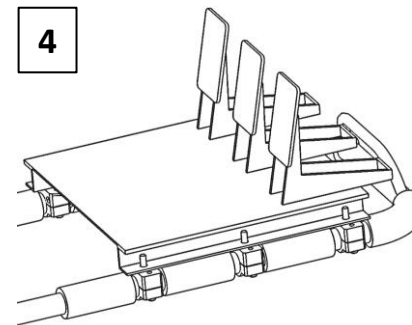
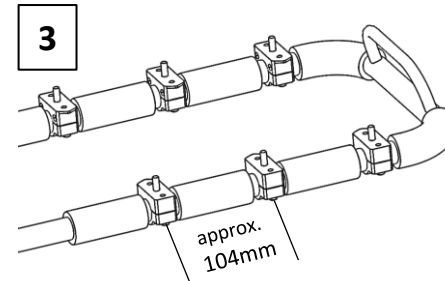
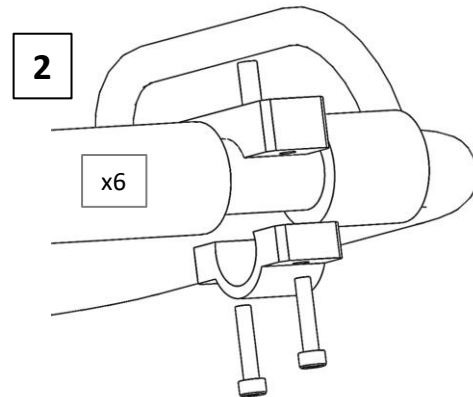
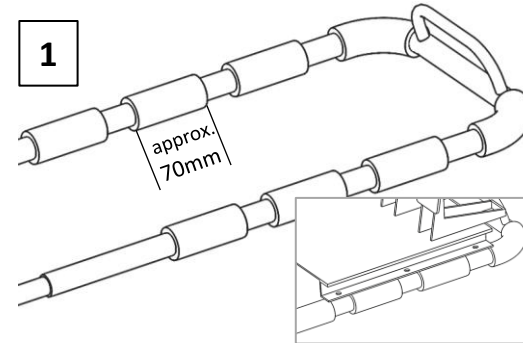


Tip: Use a Hex Key to make sure the Nuts are in fully.



Do not over tighten screws

Tip: Leave all screws & nuts slightly loose to allow for easy adjustment while fitting.



Once in position, go round and tighten all screws & nuts.

Visit indigolime.uk for more great products

It would be awesome if you could leave feedback. If you are not happy, please contact us *before* leaving negative feedback
We love to see your installations, send pic(s) to sales@indigolime.uk or Facebook: [@indigolime](https://www.facebook.com/indigolime) 👍

Installation guide made of 100% recycled paper

IPO Registered Design

IG 20.09.2021 – HSPAC6-PChal R1