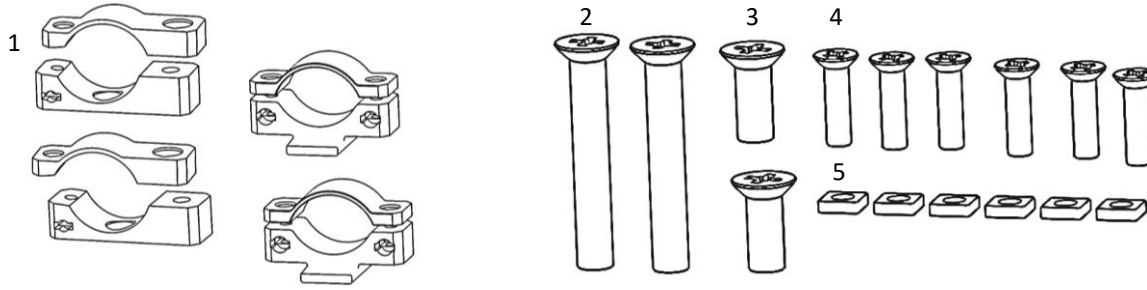


# Indigo Lime. TTPPAC4-PChal installation guide. T3Pa Pro Pedal to Frame Clamps for Playseat Challenge

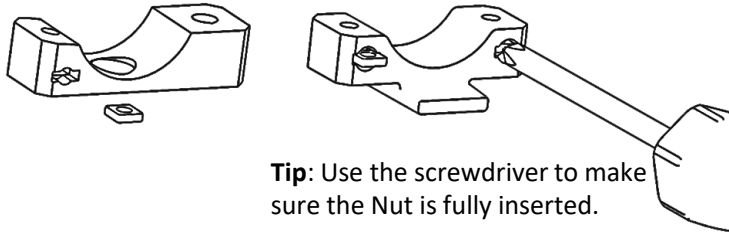
## Your parts

1. Pedal to Frame Clamps x4 sets
2. Screw M6x40 x2
3. Screw M6x16 x2
4. Screw M4x16 x6
5. Nut M4 Square x6



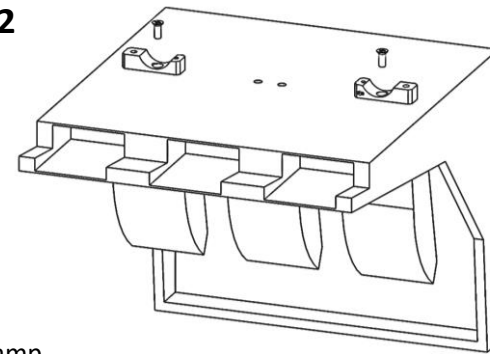
**1**

Insert the Nut into the slot of the clamp



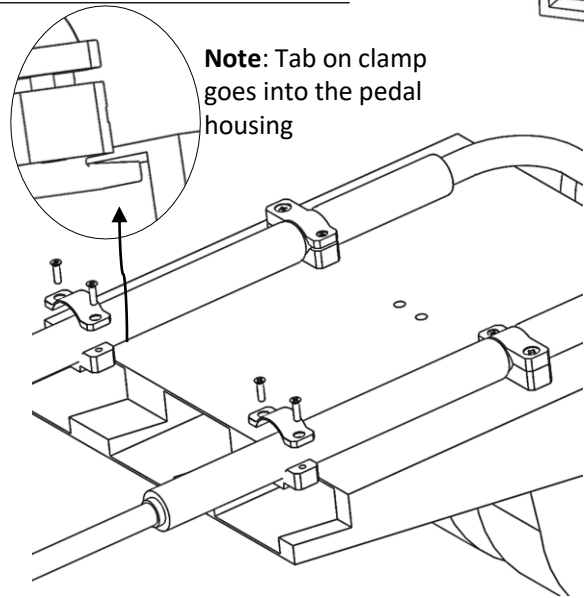
**Tip:** Use the screwdriver to make sure the Nut is fully inserted.

**2**

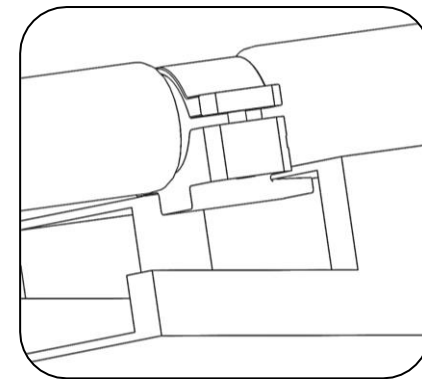


Do not over tighten screws

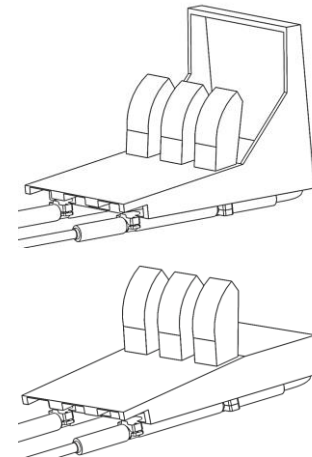
**Tip:** Push the pedals all the way to the hoop on the Playseat's frame



**Note:** Tab on clamp goes into the pedal housing



**Note:** Even when tight, the plastic parts may not meet. This is to allow for re-tightening as the foam sets under the clamps.



**Tip:** For easier storage, you can remove the back hoop of your T3Pa Pro.

Visit [indigolime.uk](http://indigolime.uk) for more great products

It would be awesome if you could leave feedback. If you are not happy, please contact us *before* leaving negative feedback. We love to see your installations, send pic(s) to [sales@indigolime.uk](mailto:sales@indigolime.uk) or Facebook: [@indigolime](https://www.facebook.com/indigolime)

Installation guide made of 100% recycled paper

IPO Registered Design

IG 10.10.2021 – TTPPAC4-Pchal R1