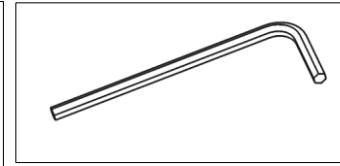
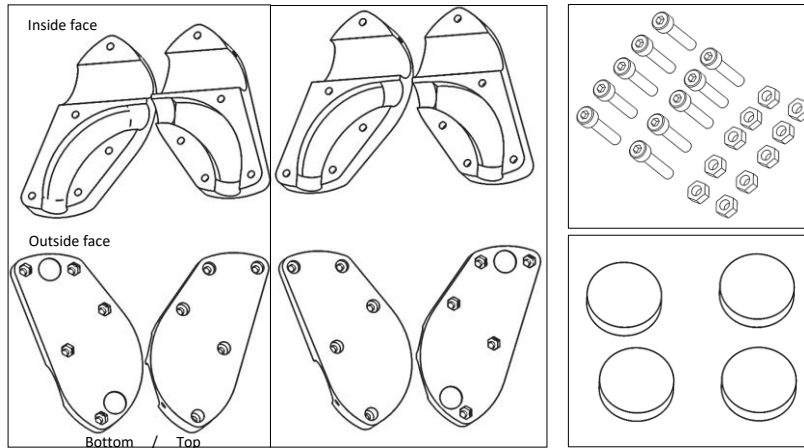


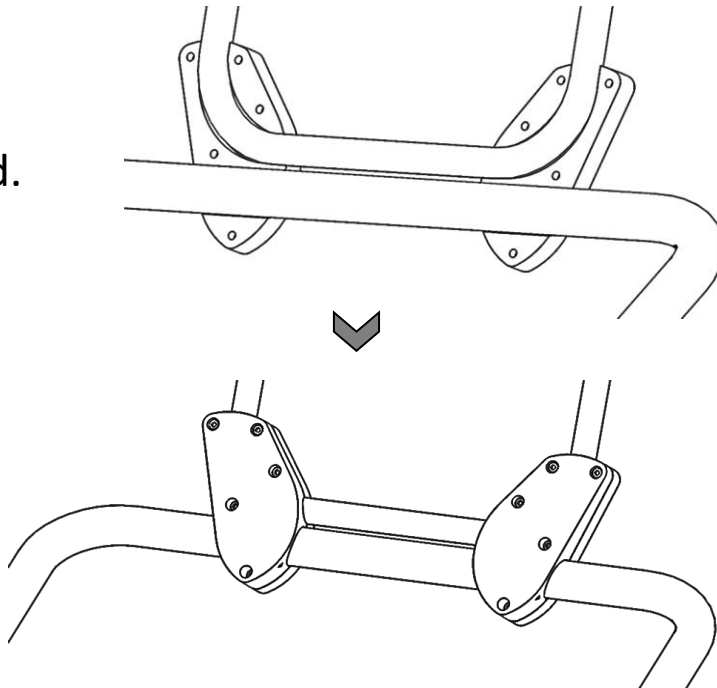
# Indigo Lime. PRC2-Pchal-Classic installation guide. Pedal Pivot Reinforcement Clamps for Playseat Challenge

## Your parts

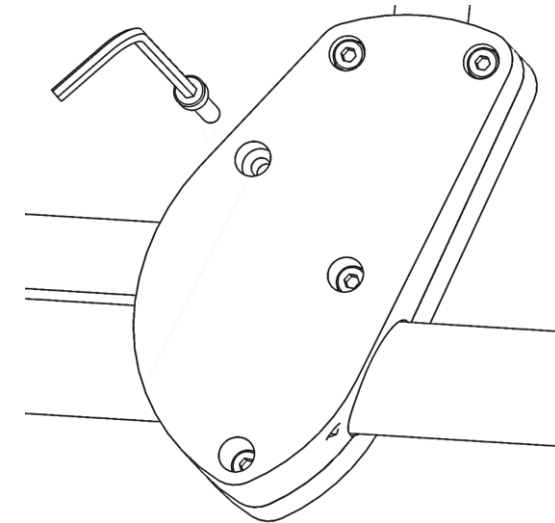
1. Classic Pivot Clamps x2 sets
2. Screws & Nuts x10 sets
3. Rubber Feet x4
4. Hex key x1




Nuts and feet are pre-installed.




  Do not over tighten screws



Visit [indigolime.uk](http://indigolime.uk) for more great products

It would be awesome if you could leave feedback. If you are not happy, please contact us *before* leaving negative feedback  
We love to see your installations, send pic(s) to [sales@indigolime.uk](mailto:sales@indigolime.uk) or Facebook: [@indigolime](https://www.facebook.com/indigolime) 

 Installation guide made of 100% recycled paper

IPO Registered Design

IG 20.07.2021 – PRC2-Pchal-Classic R1