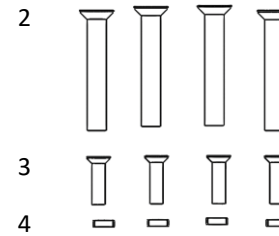
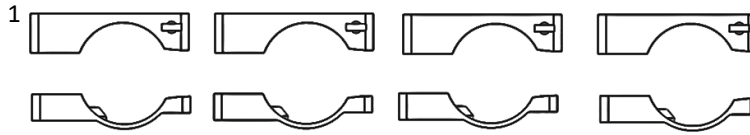


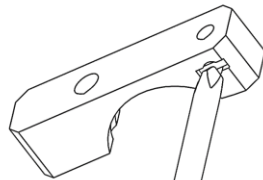
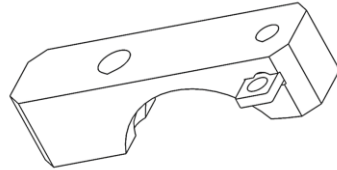
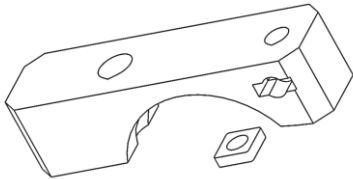
# Indigo Lime. LPAC4-Pchal installation guide. Logitech Pedal to Frame Clamps for Playseat Challenge

## Your parts

1. Pedal to Frame Clamps x4 sets
2. Screws M6x40 x4
3. Screw M4x16 x4
4. Nut M4 Square x4



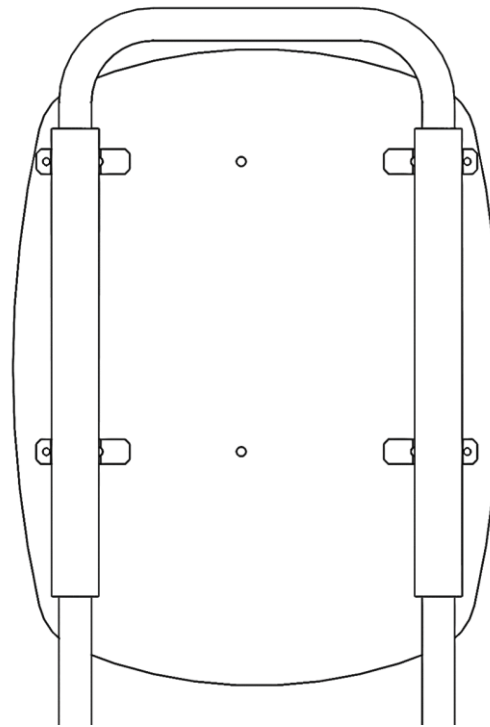
Insert the Nut into the slot of the clamp



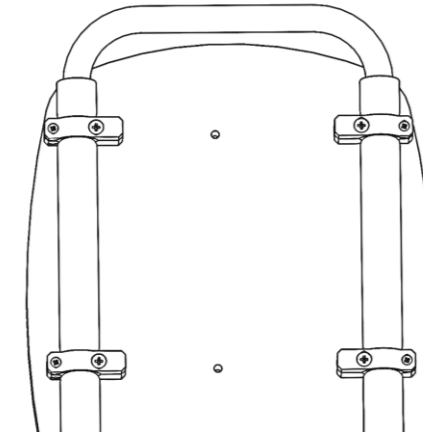
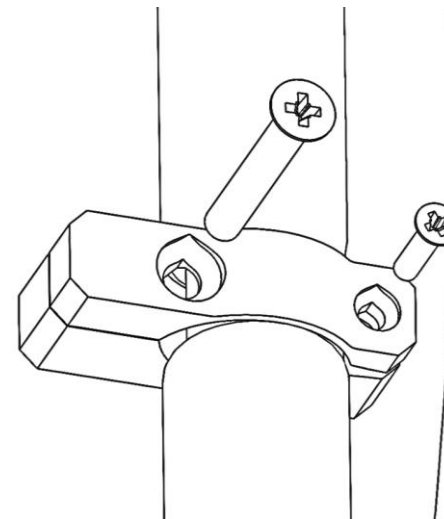
Use a screwdriver to make sure the Nut is in fully.



Place the larger clamp sections between your Pedals and the Frame



Do not over tighten screws



Visit [indigolime.uk](http://indigolime.uk) for more great products

It would be awesome if you could leave feedback. If you are not happy, please contact us *before* leaving negative feedback  
We love to see your installations, send pic(s) to [sales@indigolime.uk](mailto:sales@indigolime.uk) or Facebook: [@indigolime](https://www.facebook.com/indigolime)



Installation guide made of 100% recycled paper

IPO Registered Design

IG 01.09.2021 – LPAC4-Pchal R1