



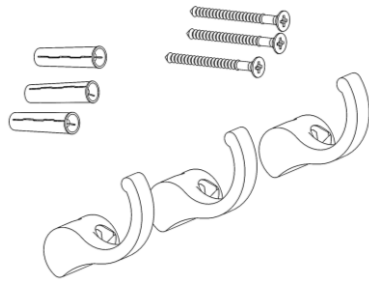
Indigo Lime – E.AWC3-W-M – Wraptor Claw installation guide. Wall mount



1 Your parts

Wall mounting kit

E.AWC3-W-M supports x3

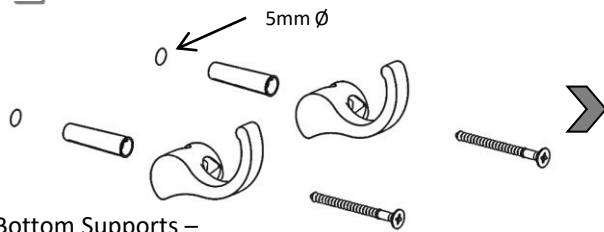


Mini Wraptor Claws suitable for;

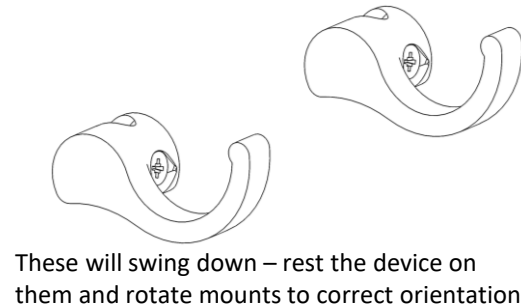
- Device thickness: 10mm – 30mm (inc. feet)
- Device weight: 1kg MAX.

⚠ Do not over tighten
Please use hand screwdriver when installing.

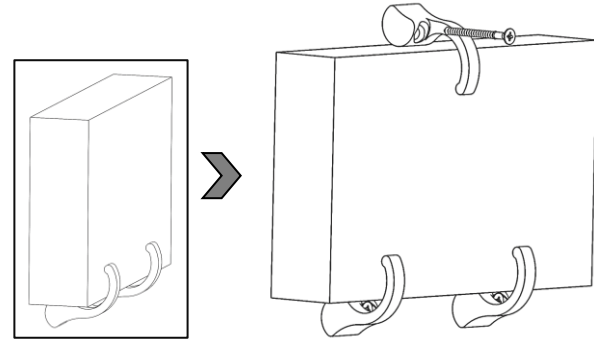
2 Wall mounting



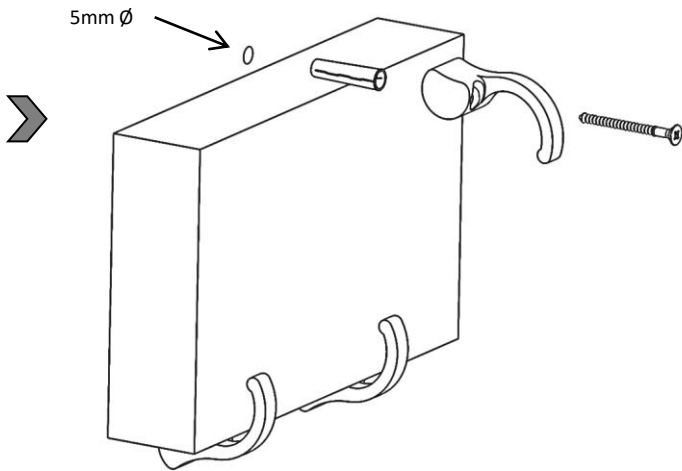
Bottom Supports – horizontally level



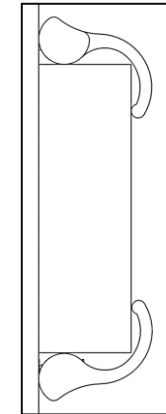
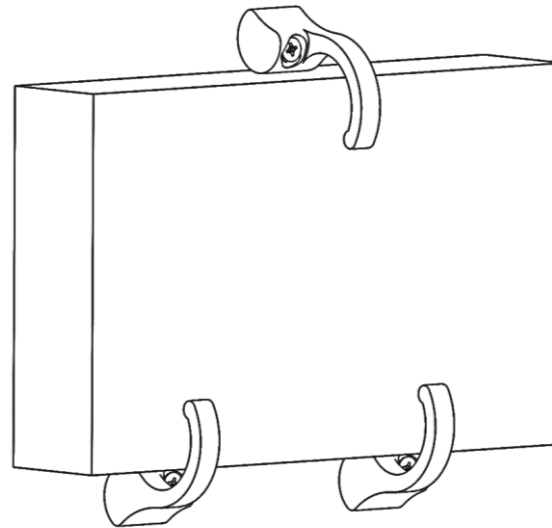
These will swing down – rest the device on them and rotate mounts to correct orientation



Mark the top clamp position making sure not to obstruct any of the ports you use in your setup



Gently tighten all mounts



Other Wraptor Claw sizes available – <https://indigolime.uk/shop/e-awc3/>



Visit indigolime.uk for more great products

It would be awesome if you could leave feedback. If you are not happy, please contact us *before* leaving negative feedback. We love to see your installations, send pic(s) to sales@indigolime.uk or Facebook: [@indigolime](https://www.facebook.com/indigolime) 🍷

IPO Registered Design

Installation guide made of 100% recycled paper

IG 23-06-2021 – E.AWC3-W-M R1