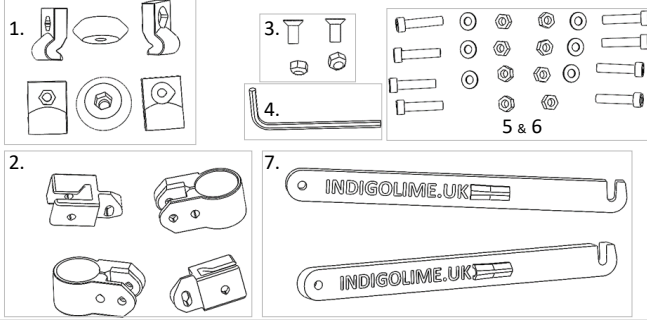


Indigo Lime – SRB2-PChal-Pro installation guide. Structural Reinforcement Braces – Playseat Challenge

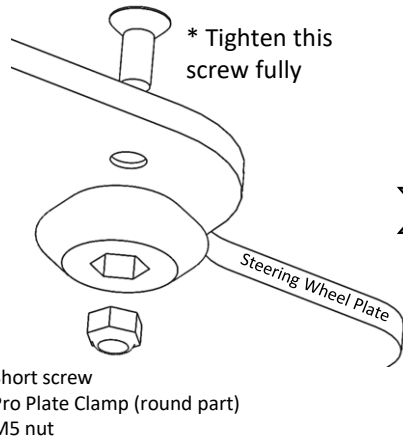
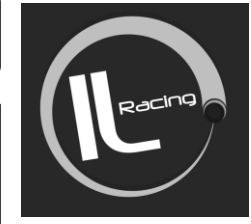
Your parts

1. Pro Plate Clamp x2 sets
2. Pro Tube Clamp x2 sets
3. Short screw & M5 nut x2
4. Hex key (Allen key) x1
5. Long screw & M4 nut x8
6. M4 Washer x6
7. Pro Brace Strut x2

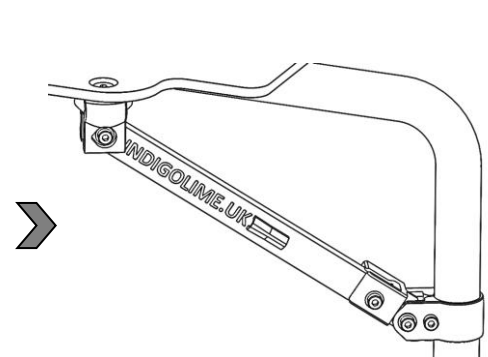
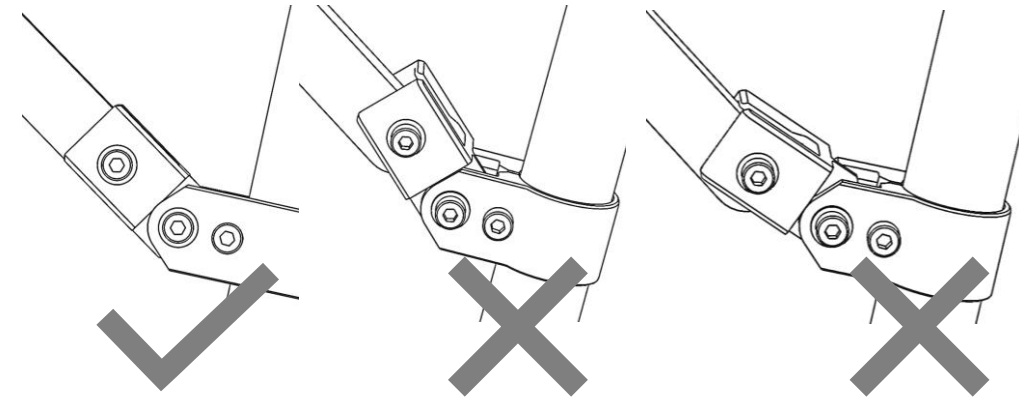
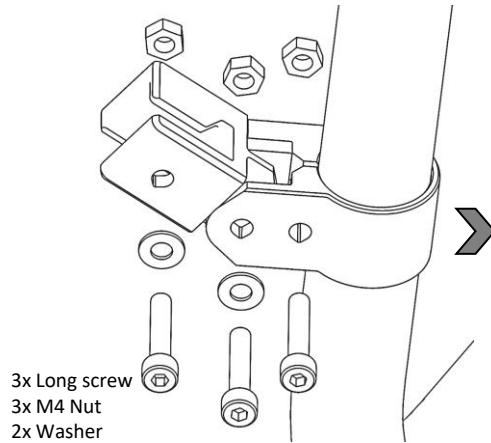
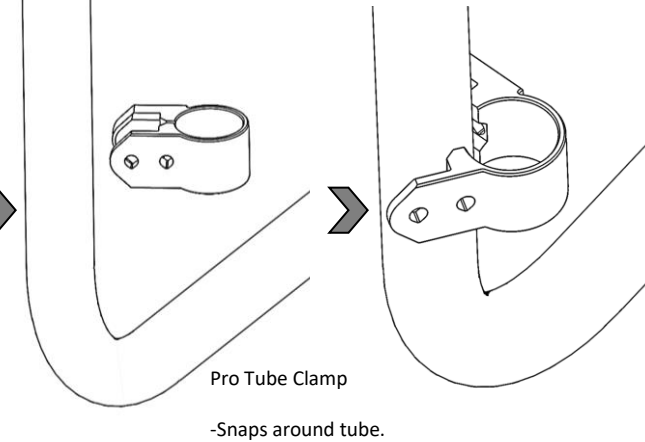
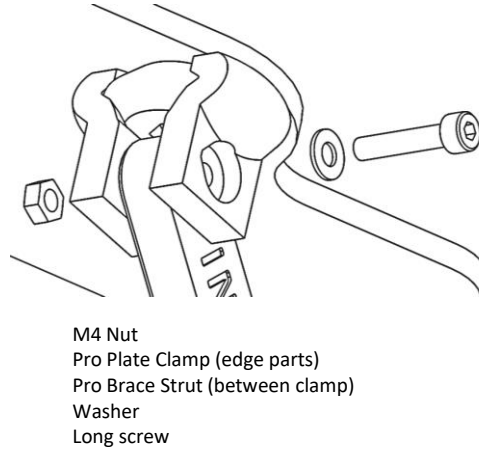
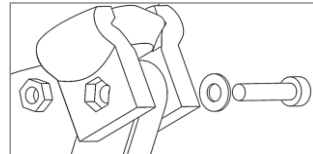


! Do not over tighten screws

Tip: Initially assemble with all screws loose to allow for adjustment. Except the first screw *



Note: The Pro Plate Clamp edge parts are not identical. One has a round recess for the washer. The other has a hexagonal recess for the nut. You need one of each for a set.



Repeat for other side
Then tighten all screws

Visit indigolime.uk for more great products

Installation guide made of 100% recycled paper

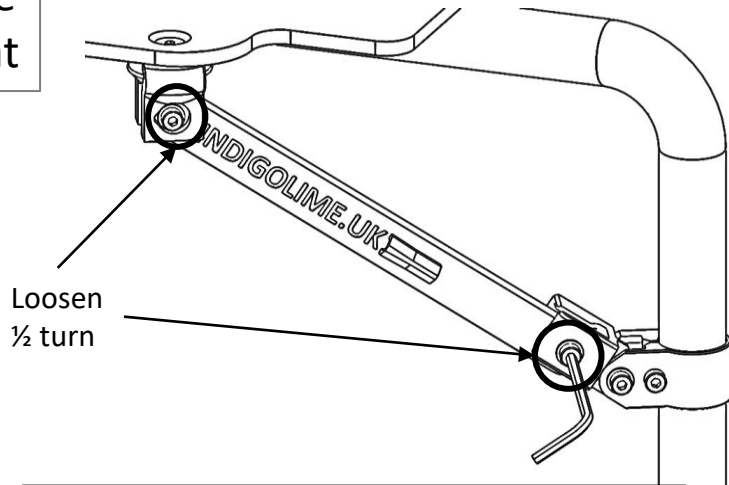
It would be awesome if you could leave feedback. If you are not happy, please contact us *before* leaving negative feedback
We love to see your installations, send pic(s) to sales@indigolime.uk or Facebook: [@indigolime](https://www.facebook.com/indigolime)

IPO Registered Design

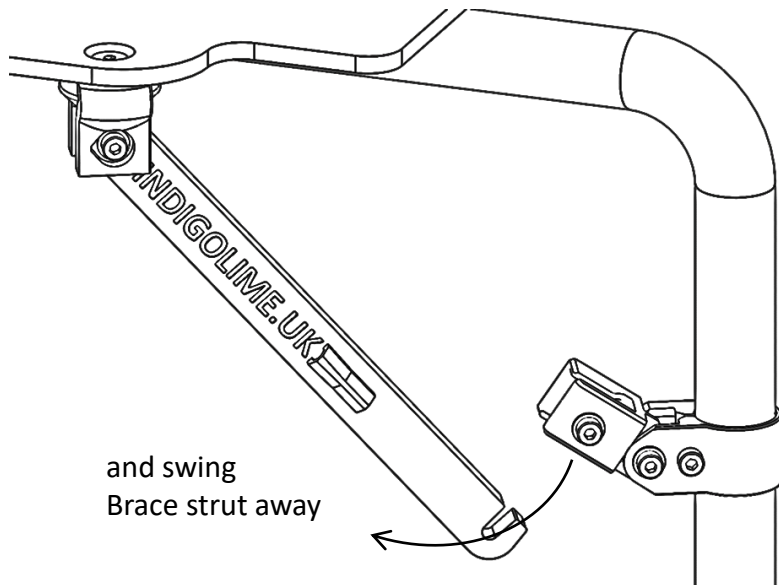
IG 20.01.2021 – SRB2-PChal Pro R1

Indigo Lime – SRB2-PChal-Pro installation guide. Structural Reinforcement Braces – Playseat Challenge

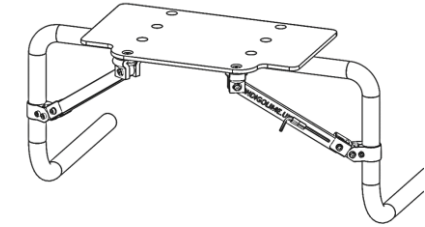
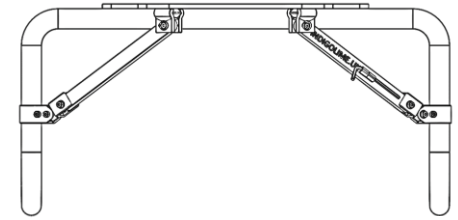
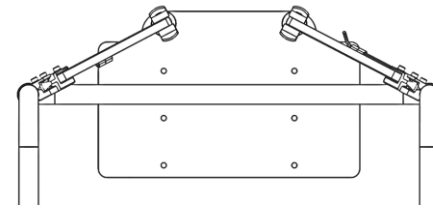
To store
Playseat



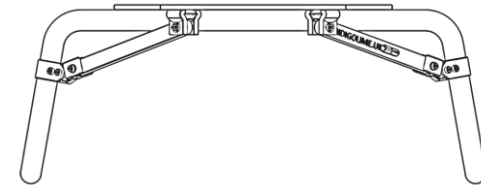
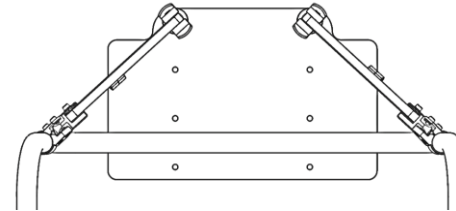
Tip: To avoid overtightening, use the Hex key as shown



Example: Mid Mounted



Example: Wheel Furthest from Driver



Example: Wheel Nearest Driver

