

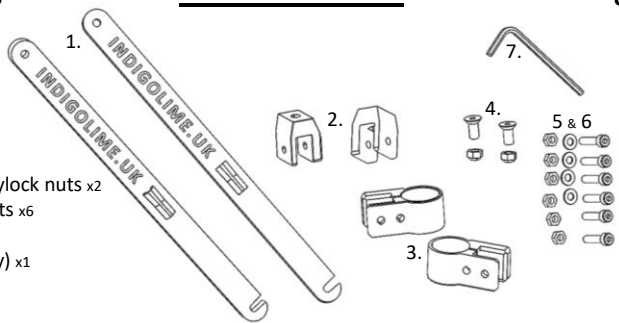


Indigo Lime – SRB2-PChal installation guide. Structural Reinforcement Braces – Playseat Challenge

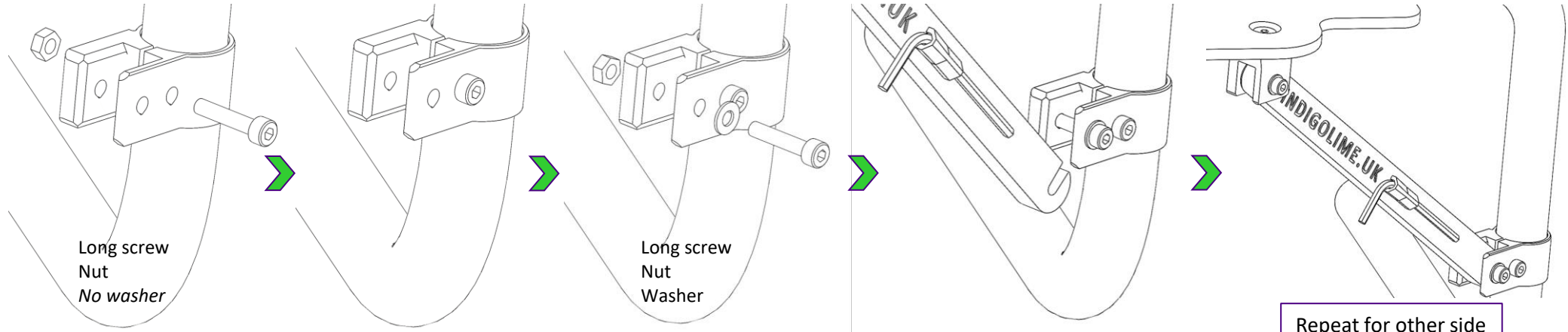
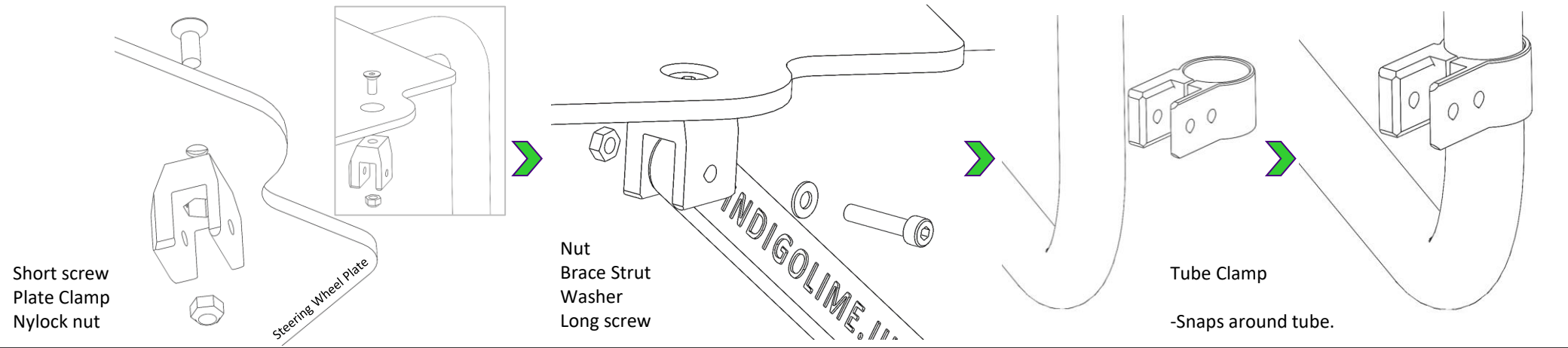


Your parts

1. Brace Struts x2
2. Plate Clamps x2
3. Tube Clamps x2
4. Short screws & Nylock nuts x2
5. Long screws & nuts x6
6. Washers x4
7. Hex key (Allan key) x1



Do not over tighten screws



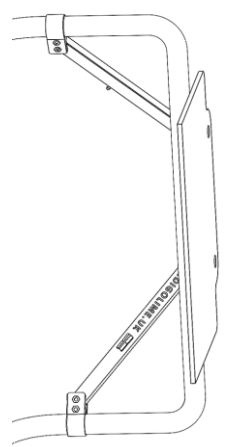
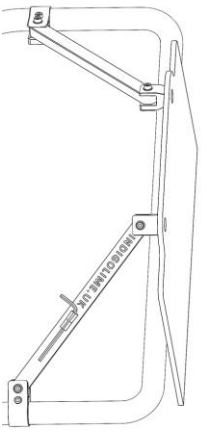
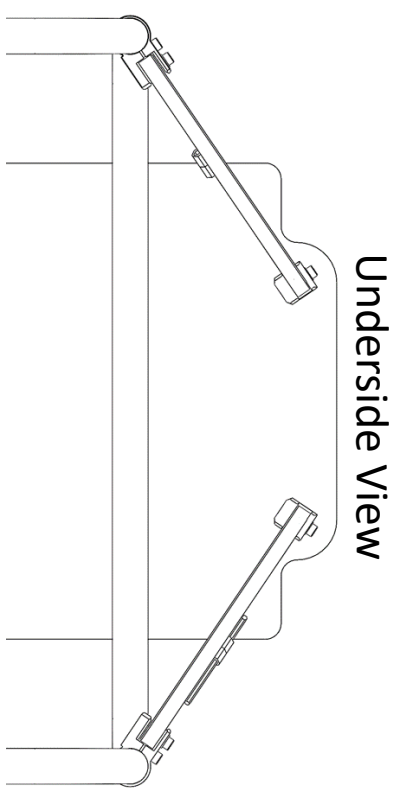
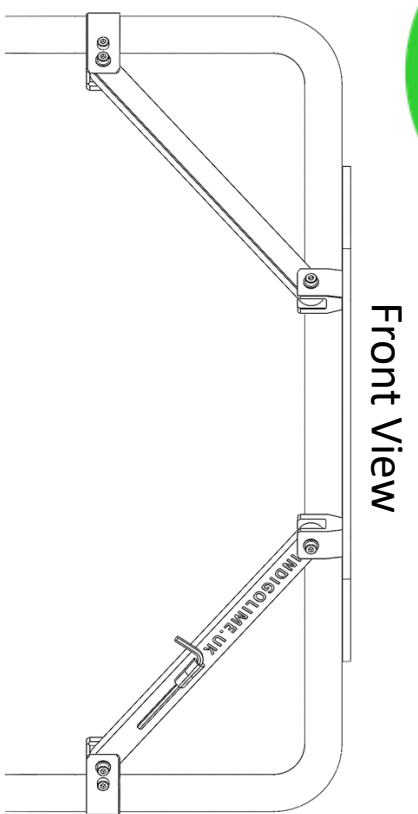
Visit indigolime.uk for more great products

Installation guide made of 100% recycled paper

It would be awesome if you could leave feedback. If you are not happy, please contact us *before* leaving negative feedback
We love to see your installations, send pic(s) to sales@indigolime.uk or Facebook: [@indigolime](https://www.facebook.com/indigolime)

IPO Registered Design

IG 01.12.2020 – SRB2-PChal R1



To store
Playseat

