

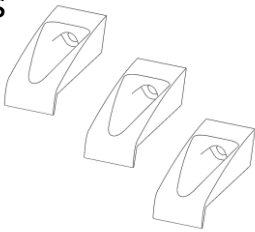


Indigo Lime – E.X1XC3-W – installation guide. Wall mount for Xbox One X

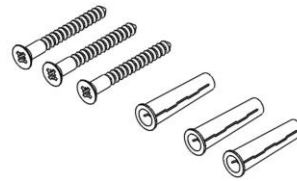


1 Your parts

E.X1XC3-W
Supports
(3 identical)



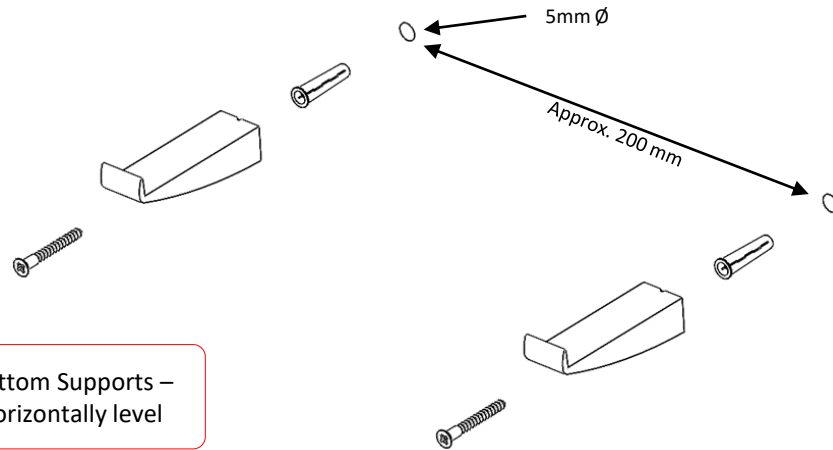
Wall
mounting
kit



Do not over tighten

Please use hand screwdriver
when installing.

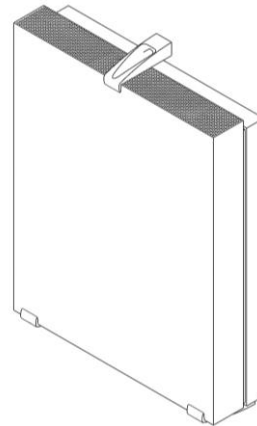
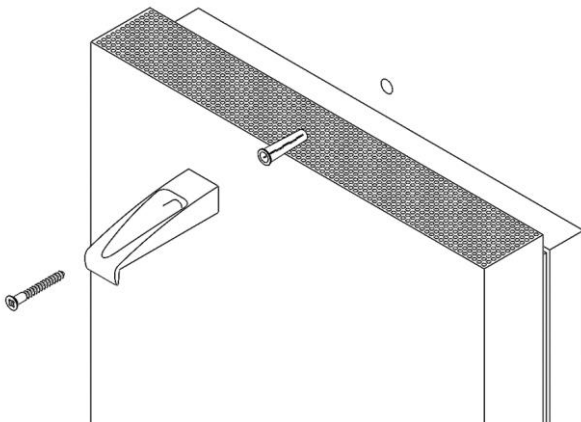
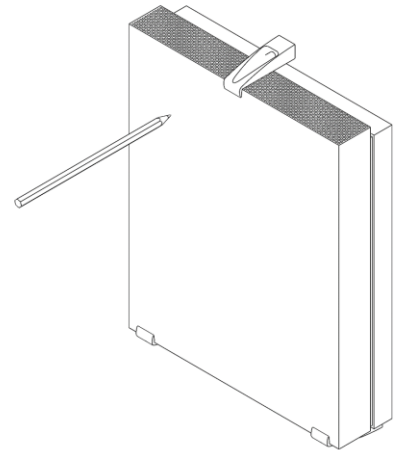
2 Wall mounting



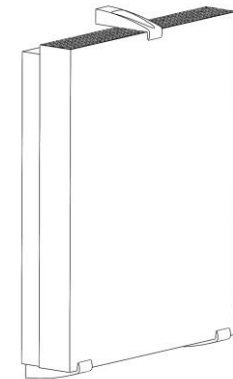
Bottom Supports –
horizontally level



Mark the
top support
position



Done



Visit indigolime.uk for more great products

It would be awesome if you could leave feedback. If you are not happy, please contact us *before* leaving negative feedback
We love to see your installations, send pic(s) to sales@indigolime.uk or Facebook: [@indigolime](https://www.facebook.com/indigolime)

IPO Registered Design - 6066277

IG 01.09.2020 – E.X1XC3 R1