

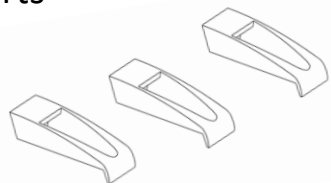


Indigo Lime – E.X1SC3-W – installation guide. Wall mount for Xbox One S

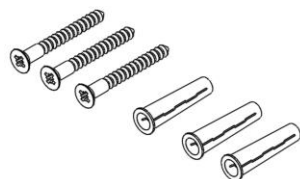


1 Your parts

E.X1SC3-W
Supports
(3 identical)

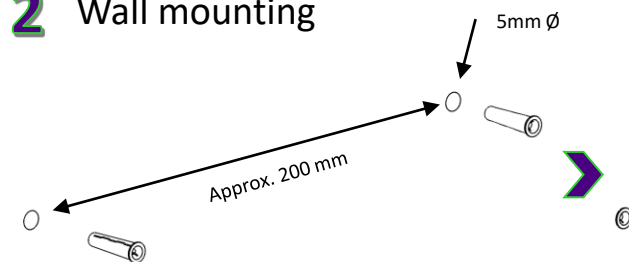


Wall
mounting
kit

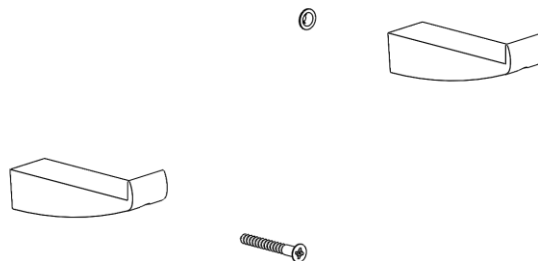


 Do not over tighten
Please use hand screwdriver
when installing.

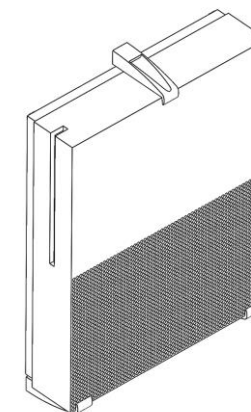
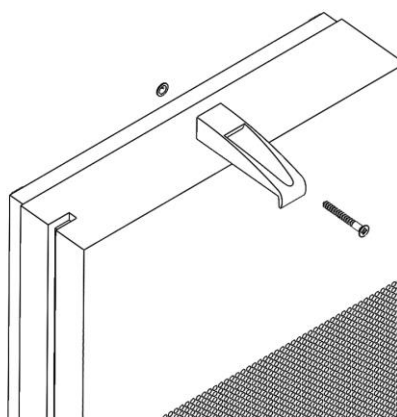
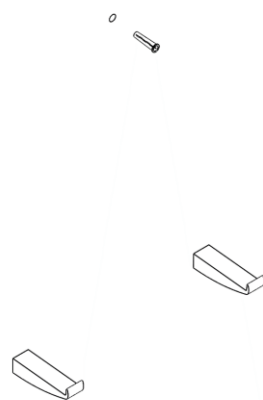
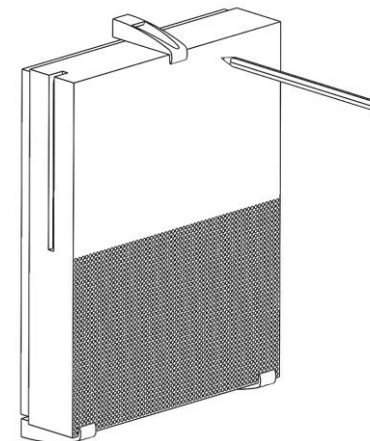
2 Wall mounting



Bottom Supports –
horizontally level





 Mark the
top support
position



Done

Visit indigolime.uk for more great products

It would be awesome if you could leave feedback. If you are not happy, please contact us *before* leaving negative feedback
We love to see your installations, send pic(s) to sales@indigolime.uk or Facebook: [@indigolime](https://www.facebook.com/indigolime) 

 Installation guide made of 100% recycled paper

IPO Registered Design - 6066277

IG 10.05.2020 – E.X1SC3 R1