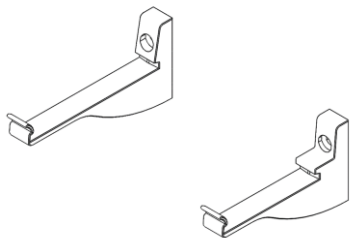




1 Your parts

E.VH3C Supports

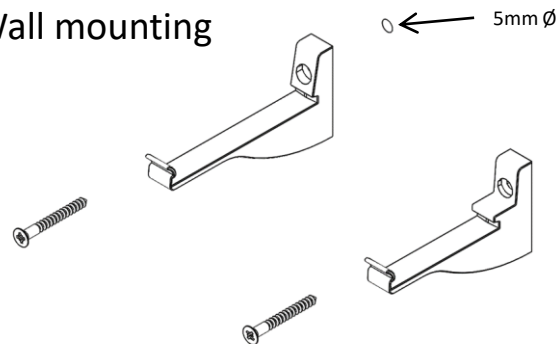
1x small - front
1x big - back



Wall mounting kit

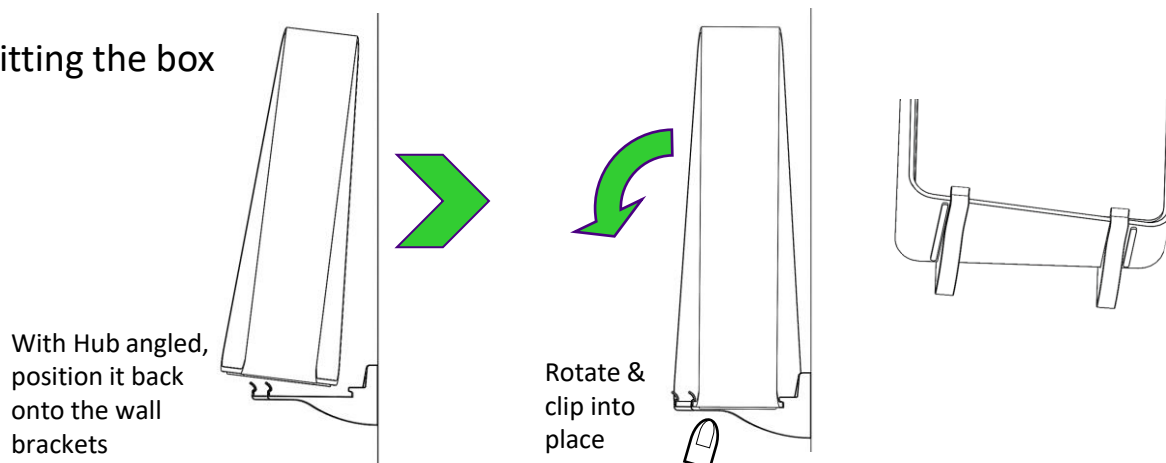


2 Wall mounting



! Do not over tighten
Please use hand screwdriver when installing.

3 Fitting the box



With Hub angled, position it back onto the wall brackets

Rotate & clip into place

Drilling guide

5mm drill bit needed

Bottom of bracket will sit approximately here

