

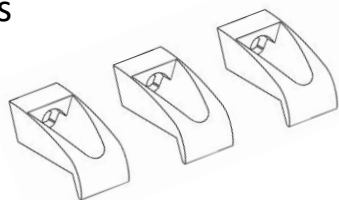


# Indigo Lime – E.P4PC3-W – installation guide. Wall mount for PS4 Pro

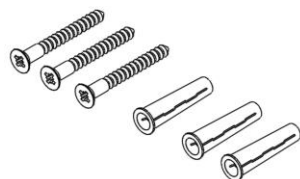


## 1 Your parts

E.P4PC3 Supports



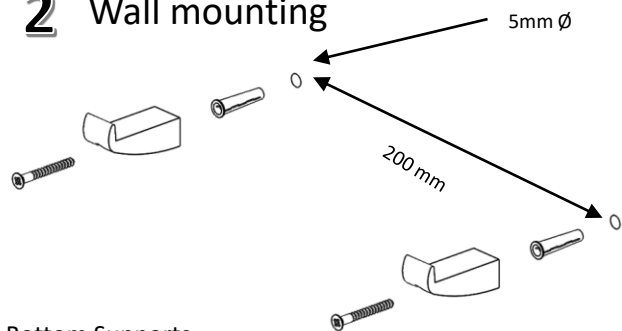
Wall mounting kit



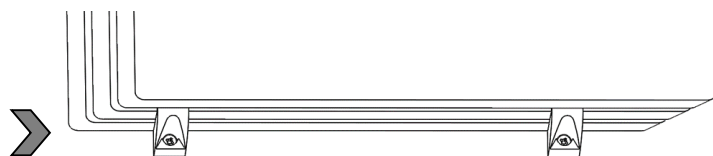
Do not over tighten

Please use hand screwdriver when installing.

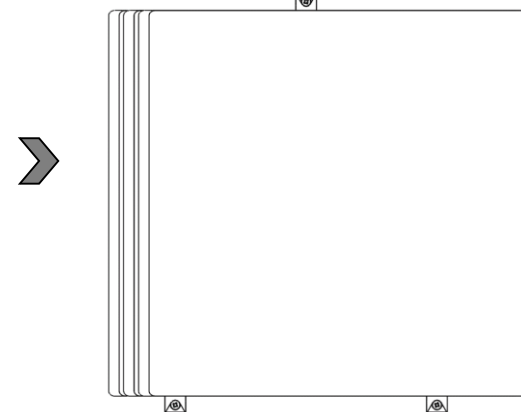
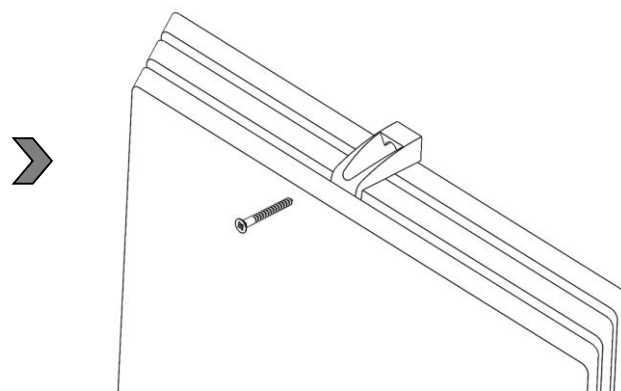
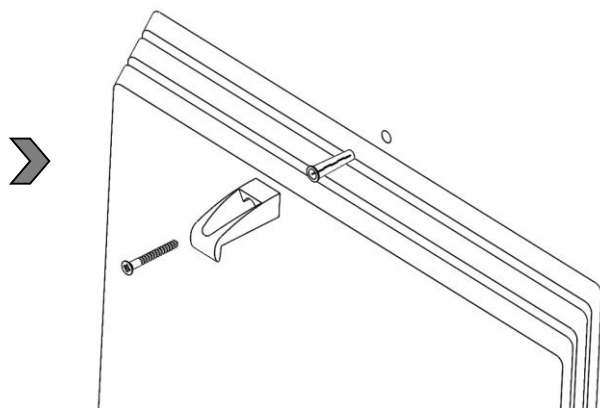
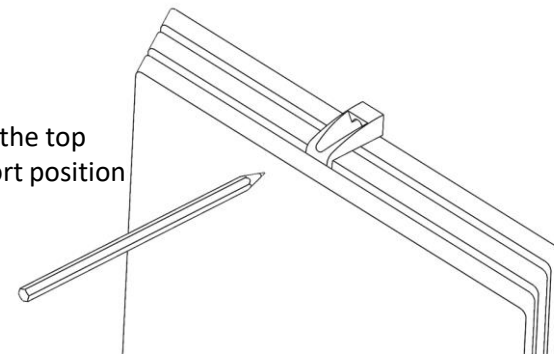
## 2 Wall mounting



Bottom Supports – horizontally level



Mark the top support position



Done

Visit [indigolime.uk](http://indigolime.uk) for more great products

It would be awesome if you could leave feedback. If you are not happy, please contact us *before* leaving negative feedback  
We love to see your installations, send pic(s) to [sales@indigolime.uk](mailto:sales@indigolime.uk) or Facebook: [@indigolime](https://www.facebook.com/indigolime)

IPO Registered Design - 6066277

IG 25.01.2020 – E.P4PC3 R1