



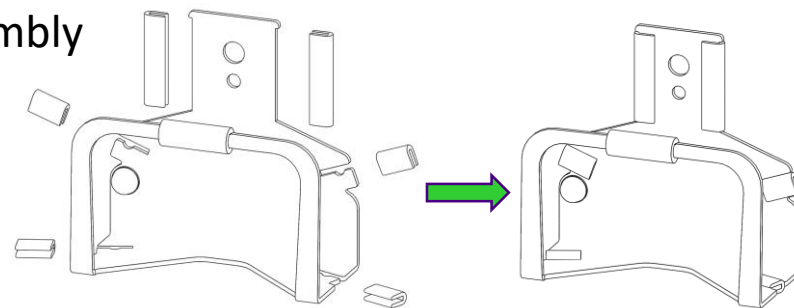
Indigo Lime - QB1 –installation guide for wall mounting or VESA mounting Sky Q main box



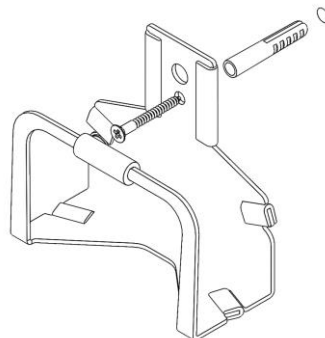
1 Your parts



2 Assembly

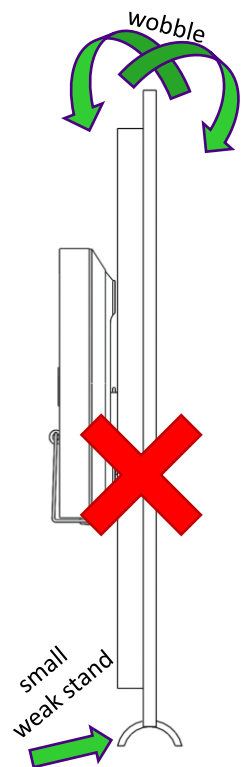


3a Wall mounting

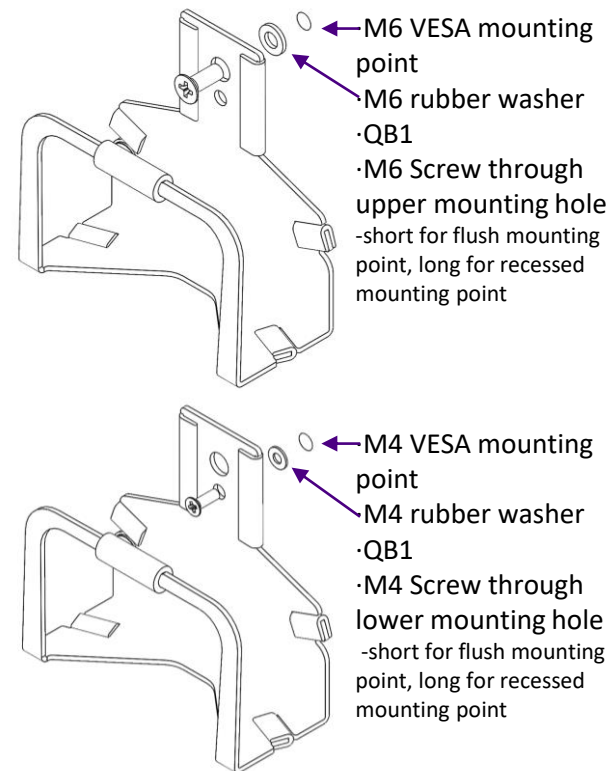
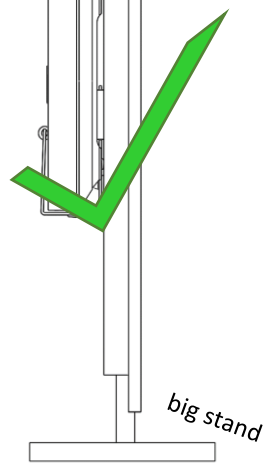


- For masonry walls; Drill a 7mm diameter hole
- Insert Rawl plug
- Screw on QB1 using lower mounting hole

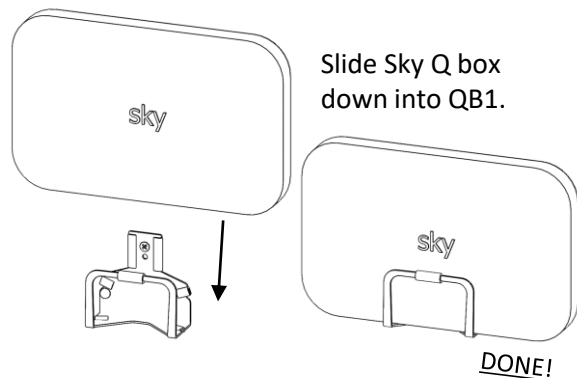
3b VESA mounting (optional)



- If you have a weak TV stand, mount QB1 on the wall
- If the TV is unstable, mount QB1 on the wall
- Mount QB1 as low as possible.



4 Fitting the Sky Q box



It is your responsibility to make sure the TV is stable when you have installed QB1 and inserted your SKY Q box.
If you are unsure, wall mount QB1