

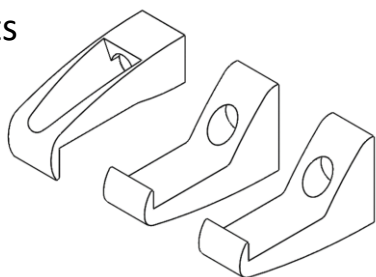


Indigo Lime – E.QC3-W – installation guide. Wall mount for Sky Q Main box 1TB or 2TB

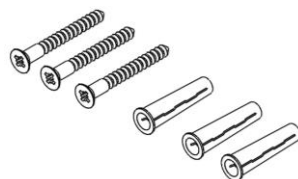


1 Your parts

E.QC3
Supports
& clamp



Wall
mounting
kit



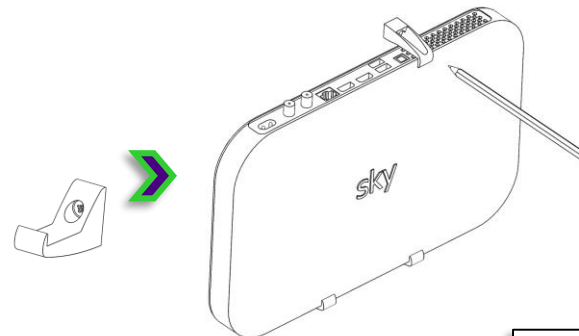
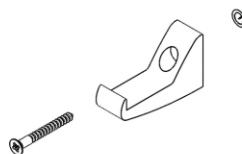
Do not over tighten

Please use hand screwdriver
when installing.

2 Wall mounting

5mm \varnothing

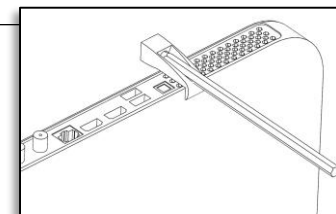
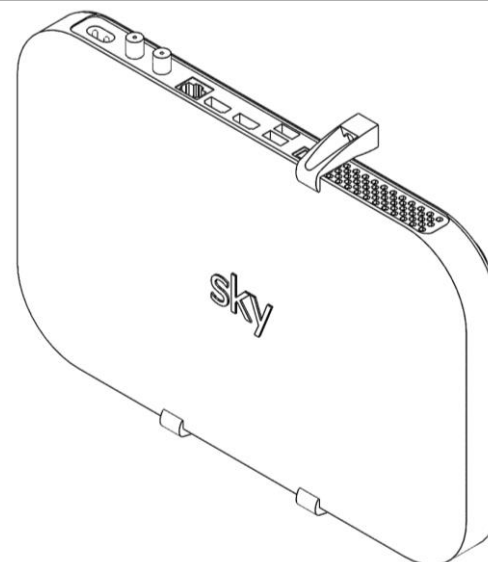
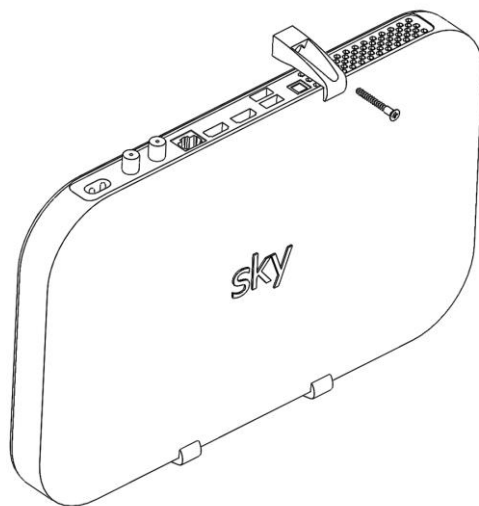
100mm



Mark the top
clamp position
making sure
not to
obstruct any
of the ports
you use in
your setup

Bottom Supports –
horizontally level

5mm \varnothing



Visit indigolime.uk for more great products

IPO Registered Design - 6066279

It would be awesome if you could leave feedback. If you are not happy, please contact us *before* leaving negative feedback

We love to see your installations, send pic(s) to sales@indigolime.uk or Facebook: [@indigolime](https://www.facebook.com/indigolime)

Installation guide made from 100% recycled paper

IG 09.08.19 – E.QC3 R1