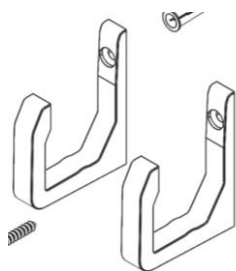
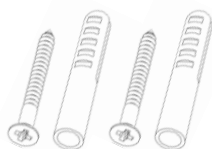


1 Your parts

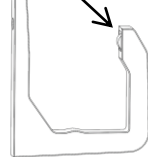
E.QMC2 Supports



Wall mounting kit



*There are rubber protectors already inserted into the bracket – if they are not there, check in the package



Drilling guide

5mm drill bit needed

Fold

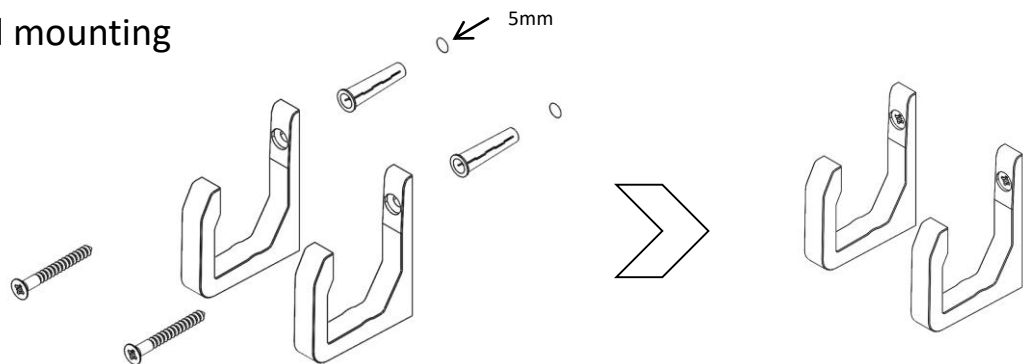
≈ 50mm

Bottom of Sky box will sit approximately here

If you want to mount the Sky box 'upside down', check which ports you need and space the supports accordingly

CAUTION – your printer might not print to scale!

2 Wall mounting



! Do not over tighten

Please use hand screwdriver when installing.

3 Fitting the box

