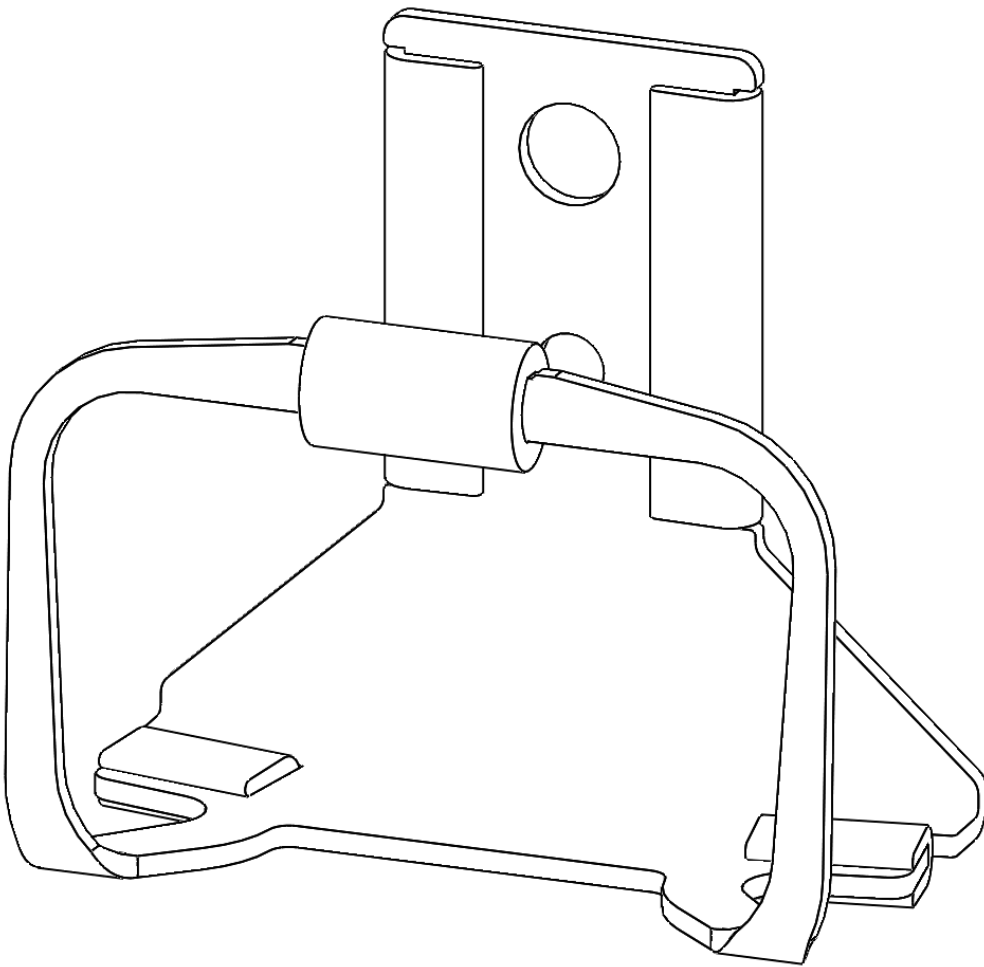


Installation guide

Sinopia MQ Page 1 & 2

SI48

Wall bracket
for Sky Q Mini,
Q Hub & Q Booster



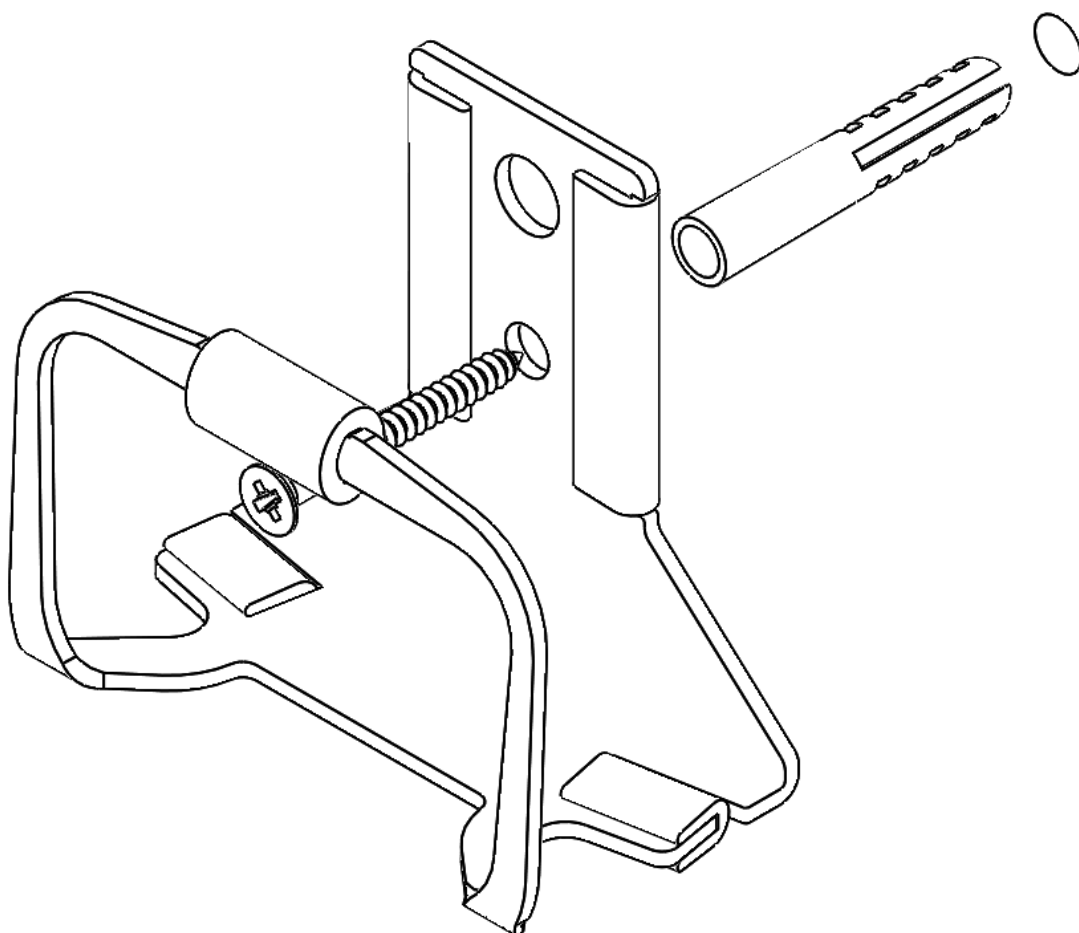
If you need any assistance, call 01952 794313 (M-F. 9-6)

Email - sales@indigolime.uk

Facebook - [@indigolime](#)

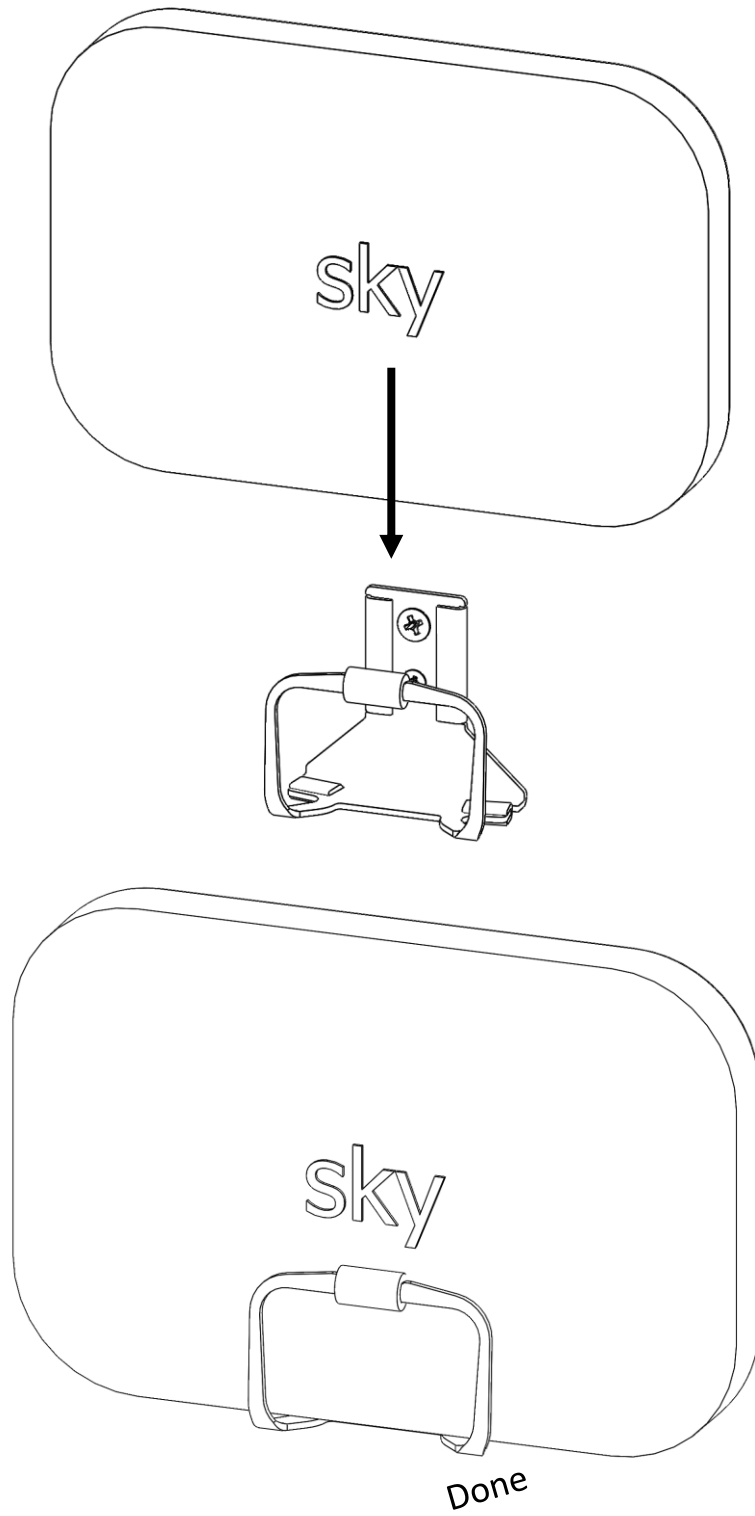
Sinopia MQ wall– Installation

- 1 Drill a 7mm diameter hole into a masonry wall in the location that you want the Sky Q Mini* box to be held. Other wall types may need a different rawl plug
- 2 Insert RAWL plug into hole, and screw on Sinopia using the lower hole



* Or Hub or Booster box.

- 3 Slide your Sky Q Mini* box down into Sinopia, centrally



Safety Warnings

Plastic bags and small components must be kept away from children.

Stability

With so many combinations of device, bracket and wiring being possible it is not feasible to give specific positioning guidance for each device.

The customer must ensure the complete TV/device installation is stable on the stand.

In general devices are normally best positioned by placing their ends on the Supports but it is important for customers to ensure adequate access for installation and use and that the device is stable. So there should be room for wiring devices during installation and space for normal use such as inserting discs in games consoles.

End of use and Re-cycling:-

Packaging; all bags are polyethylene and recyclable, adhesive tape should be disposed in waste.

We have designed our brackets to extend their life by making the Support Grips adjustable and re-useable however if you do wish to dispose of them please note:-

All metal components are steel and recyclable.

The buffers on the Support Grips are rubber and recyclable