

Indigo Lime

Installation Guide

Magenta

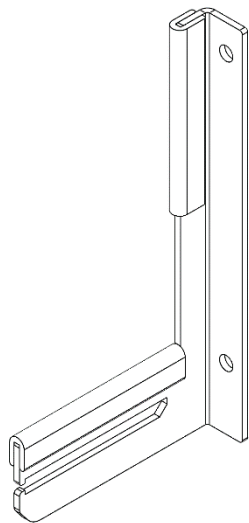
+ 1 Controller Holder

+ 2 Controller Holders

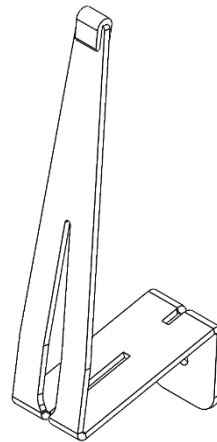
MA60

MA60-1MA178

MA60-2MA178



Support



Grip

Edition GB 03/07/2018. Support Grip patent pending



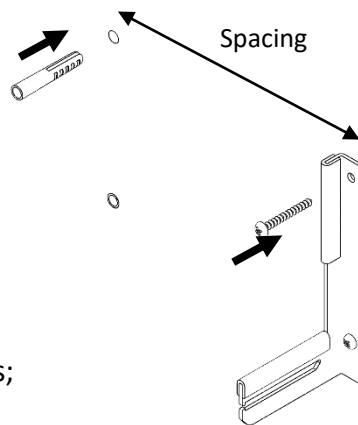
QR code links straight to our website –
indigolime.uk/magenta/

If you need any assistance, call 01952 794313

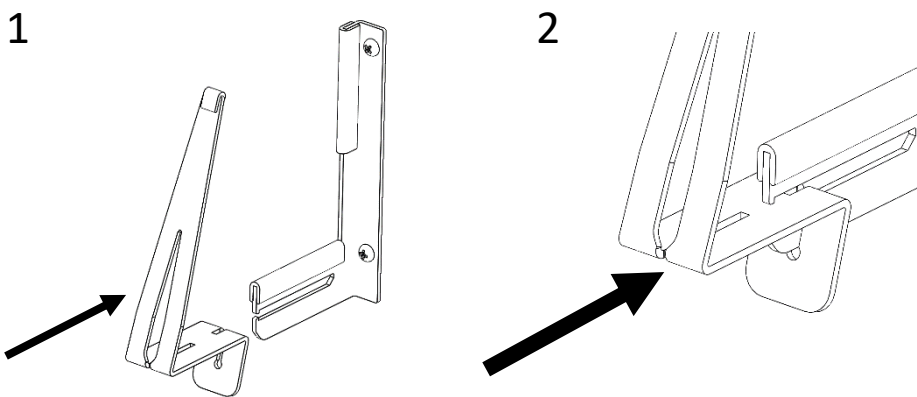
Support - Installation

Drilling guide

- Mark holes through first support
- For masonry walls use 7mm drill for plug
- Fit support to wall
- Select the spacing to the second support to suit your device and installation (portrait or landscape) to avoid lights, buttons, cables etc.. Example spacings;
 - Large games consoles 170mm (suits 2 controller holders)
 - Sky Q, landscape 100mm
 - Sky Hub, portrait 50mm

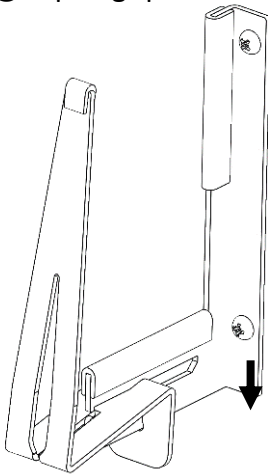


Grip - Installation

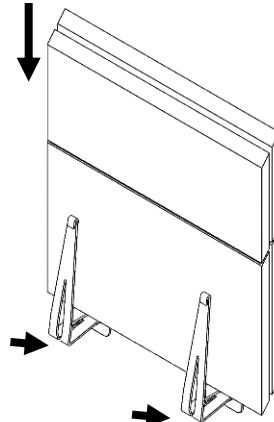


Press firmly to insert grips

3 Open grip



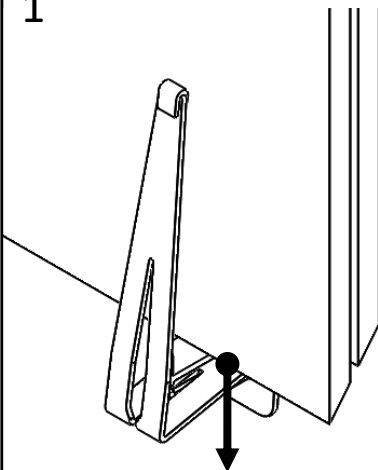
4 Slide the device down between the support & grip



5 Push to lock the grips in place.

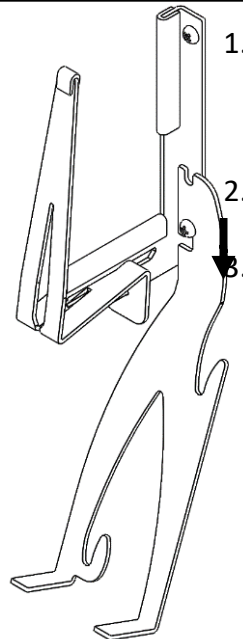
Grip - Removal

1



Pull

Optional Controller holder - Installation



1. Unscrew the lower screw slightly (approx. 5mm)
2. Slot on controller holder as shown
3. Re-tighten lower screw

2/3

Safety Warnings

Plastic bags and small components must be kept away from children.

Stability

With so many combinations of device, bracket and wiring being possible it is not feasible to give specific positioning guidance for each device.

In general devices are normally best positioned by placing their ends on the Supports but it is important for customers to ensure adequate access for installation and use and that the device is stable. So there should be room for wiring devices during installation and space for normal use such as inserting discs in games consoles.

End of use and Re-cycling:-

Packaging; all bags are polyethylene and recyclable, adhesive tape should be disposed in waste.

We have designed our brackets to extend their life by making the Support Grips adjustable and re-useable however if you do wish to dispose of them please note:-

All metal components are steel and recyclable.

The buffers on the Support Grips are rubber and recyclable